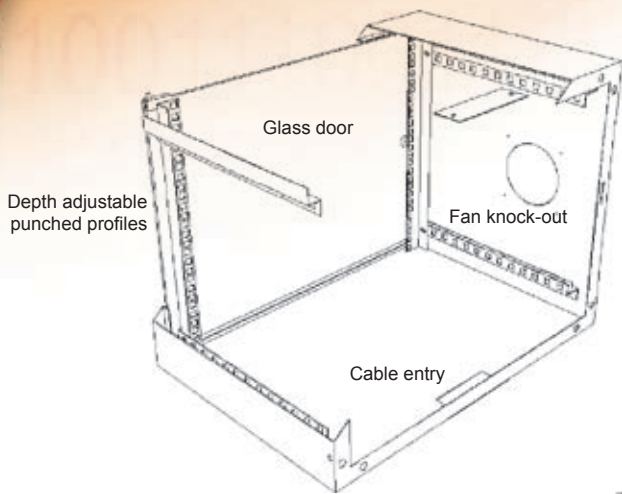


# WallMount Boxes

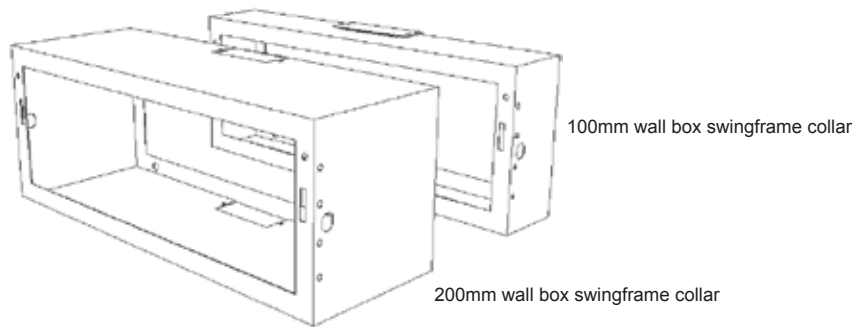


### Key Features

- 19" wall mounting box
- Fabricated from sheet metal
- Epoxy powder coated
- Adjustable (for depth) punched profiles
- Conveniently positioned fan cut-outs
- Cable entry cut-outs (100mm x 40mm) top and bottom
- Standard with lockable glass door
- AdleRac® is an SABS ISO 9001:2008 certified manufacturer

### Options

- 100mm swing frame collar (for access to rear of box)
- 200mm swing frame collar (for access to rear of box)
- Removable side panel (special request)



### 4U 19" Steel Wallbox

Part No.	Part No. with 100mm collar	Part No. with 200mm collar	Description	Height
1R03-04UWB/GG	1R03-04UWBS1GG	1RWBST-304	19" 4U x 300mm wallbox	220mm



### 6U 19" Steel Wallbox

Part No.	Part No. with 100mm m collar	Part No. with 200mm collar	Description	Height
1R04-06UWB/GG	1R04-06UWBS1GG	1R04-06UWBS2GG	19" 6U x 400mm wallbox	310mm

## 9U 19" Steel Wallbox

Part No.	Part No. with 100mm collar	Part No. with 200mm collar	Description	Height
1R04-09UWB/GG	1R04-09UWBS1GG	1R04-09UWBS2GG	19" 9U x 400mm wallbox	440mm



## 12U 19" Steel Wallbox

Part No.	Part No. with 100mm collar	Part No. with 200mm collar	Description	Height
1R04-12UWB/GG	1R04-12UWBS1GG	1R04-12UWBS2GG	19" 12U x 400mm wallbox	575mm



## 15U 19" Steel Wallbox

Part No.	Part No. with 100mm collar	Part No. with 200mm collar	Description	Height
1R04-15UWB/GG	1R04-15UWBS1GG	1R04-15UWBS2GG	19" 15U x 400mm wallbox	710mm



## 20U 19" Steel Wallbox

Part No.	Part No. with 100mm collar	Part No. with 200mm collar	Description	Height
1R04-20UWB/GG	1R04-20UWBS1GG	1R04-20UWBS2GG	19" 20U x 400mm wallbox	930mm

